

Care and operating instructions.



The hardware system TITAN:
iP, AF, A300, FAVORIT.

SIEGENIA AUBI[®]
SOLUTIONS INSIDE

WINDOW HARDWARE

DOOR HARDWARE

SLIDING DOOR HARDWARE

VENTILATION AND BUILDING TECHNOLOGY

Table of Contents

Safety Notices	2
Directions for Use	
Turn and Tilt	3
Rectifying Operating Problems	4
Tilt Before Turn (TBT)	5
Tilt	6-7
Maintenance	
Cleaning	9
Inspection and Lubrication	10
Lubrication Points	11

Feedback on documentation

We are always happy to receive comments and suggestions for the improvement of our documentation. Please e-mail us your comments to 'dokumentation@siegenia-aubi.com'.

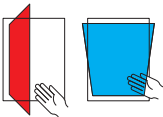
Safety Instructions

- Always observe the safety instructions when carrying out work to windows/doors!
- Keep children and people who cannot estimate the dangers away from the point of danger!
- Avoid spilling lubricants onto the floor or leave tools unattended in the working area!



Risk of injury from falling through open windows

- Always use stable step ladders.
- Protect yourself against falling out of windows.
- Do not steady yourself or hold on to the opened sash.



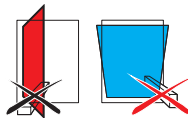
Danger of injury through trapping of body parts

- Never reach into the opening between the sash and the outer frame when closing windows/doors.



Risk of injury or damage from pressing the sash against the reveal

- Do not press the sash against the window reveal



Risk of injury from trapping parts of the body between the sash and the frame

- Do not insert obstructions into the opening between sash and frame.



Risk of injury and material damage from overloading the sash

- Do not overload the sash.



Risk of injury from the effect of wind

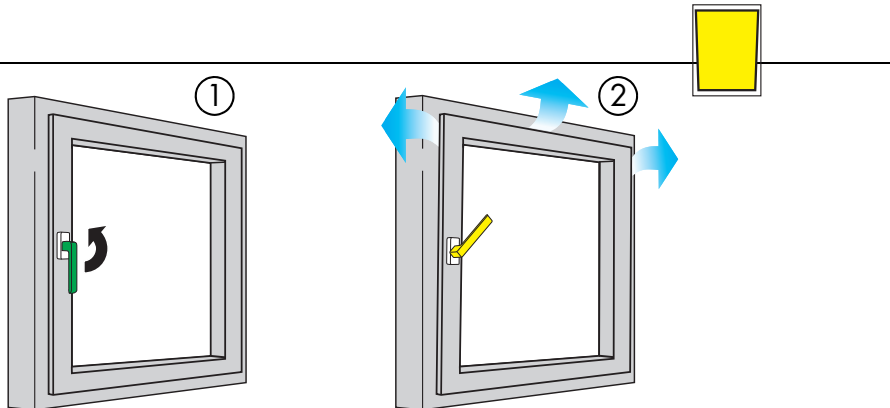
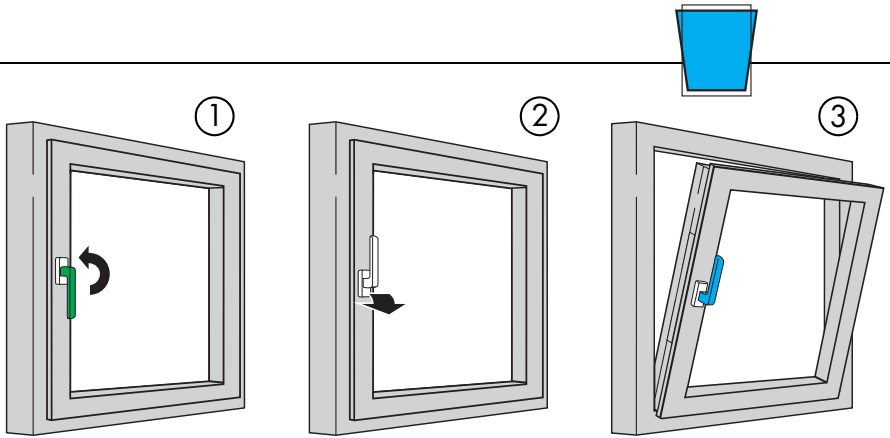
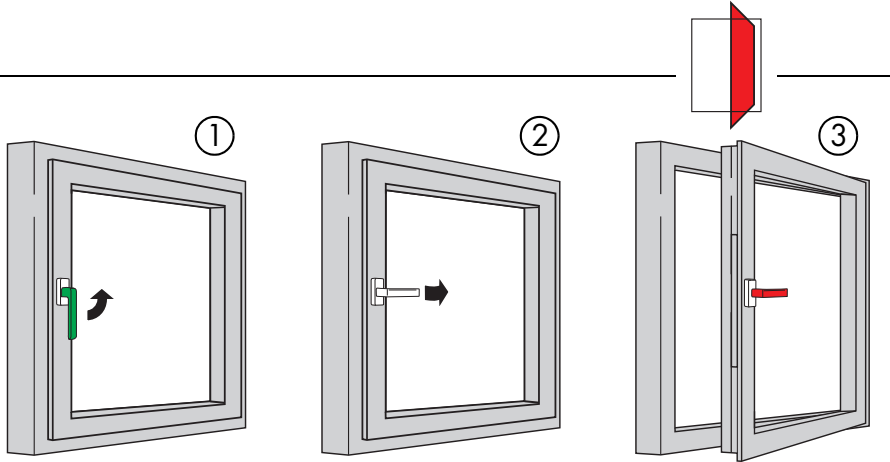
- Prevent wind from acting on the open sash.
- During wind/drafts, close and lock windows.

⚠ WARNING

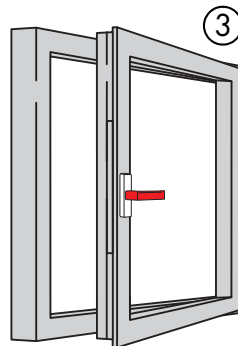
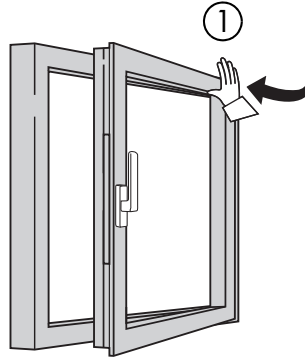
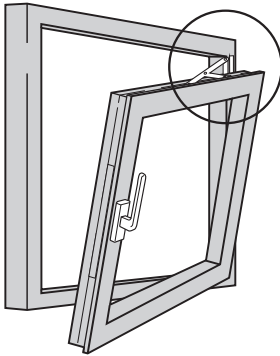
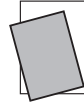
Operational malfunction of the window components may result in injury!

- ▶ Do not continue to use the window once an operational malfunction has been identified.
- ▶ Secure the window and instruct a specialist company to carry out the repairs.

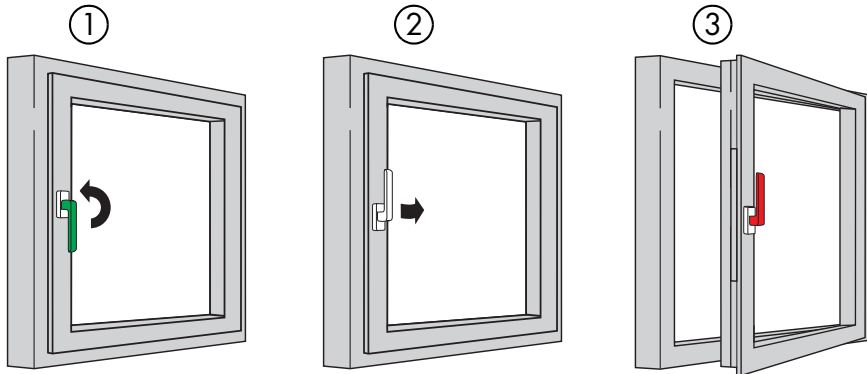
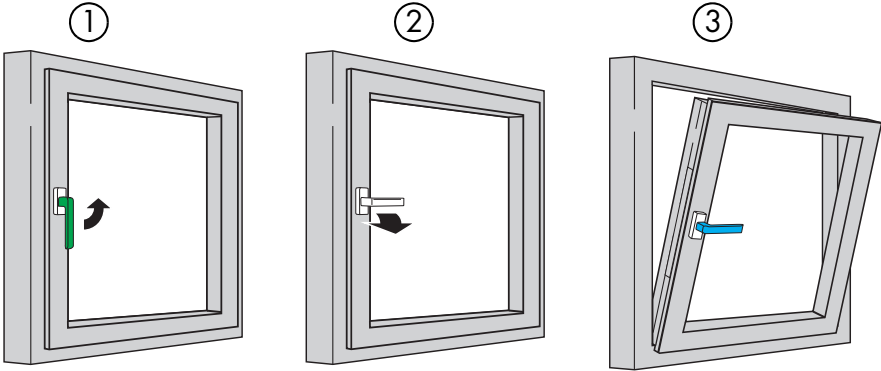
Directions for Use - Turn and Tilt



Rectifying Operating Problems



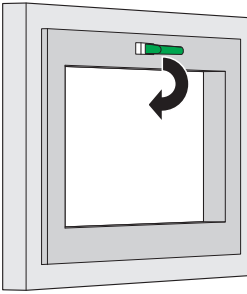
Directions for Use - Tilt Before Turn (TBT)



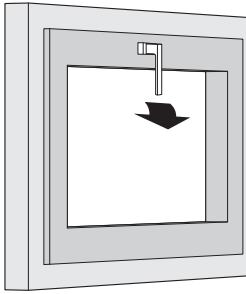
Directions for Use - Tilt



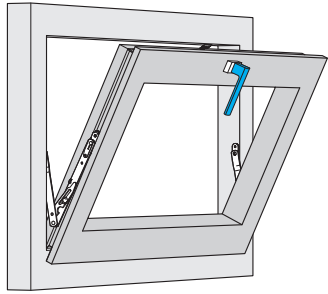
①



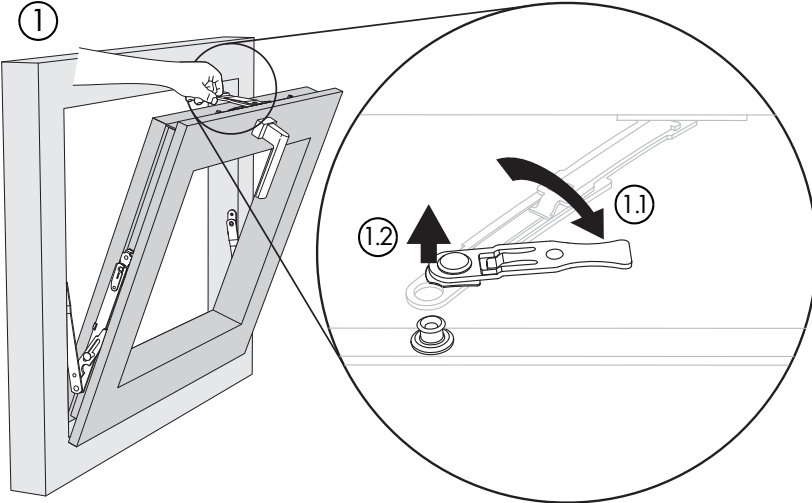
②



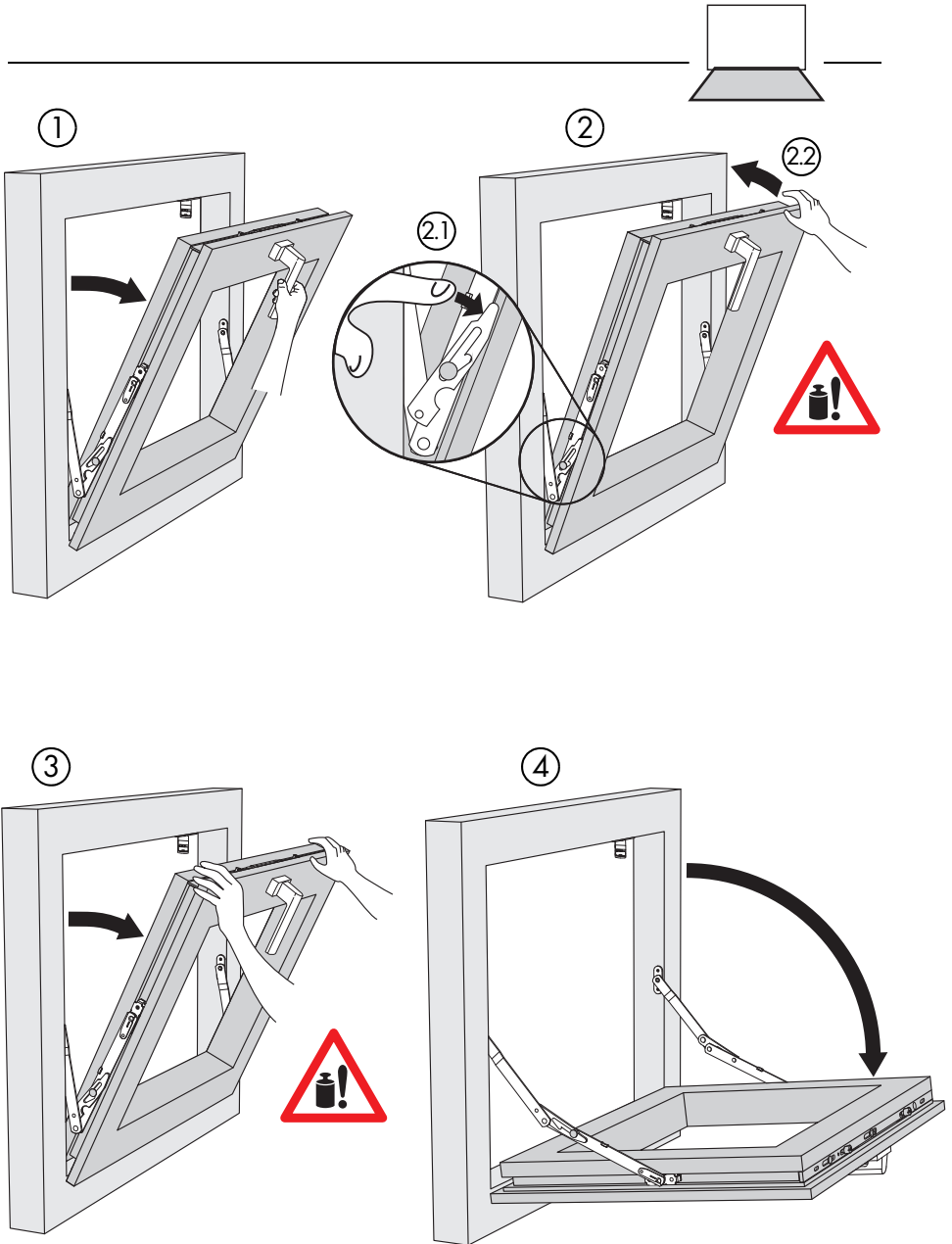
③



①



Directions for Use - Tilt



Maintenance - Cleaning

Your windows and portal doors have high-grade SIEGENIA-AUBI fittings. To ensure that they remain in good working condition, even past the guarantee period, we recommend that you inspect and maintain your windows/doors as described below at regular intervals (at least once a year or more often for school and hotel buildings).

Cleaning and preserving surfaces

- When treating surfaces (painting or glazing your windows/doors), remove all fittings and protect them from stains and spills.
- Remove any stains or spills immediately because they could damage the surface protection of the fittings.
- Use only mild, pH-neutral, diluted cleaning agents. Never use sharp objects, abrasive agents or aggressive cleaning agents (such as vinegar or acidic cleaning agents) as they could damage the corrosion protection of the fittings.
- When cleaning, ensure that no water runs into the fittings.
- Dry the fittings thoroughly after cleaning and oil the surface with a non-acidic and non-resinous oil by wiping them with a cloth soaked in oil.

“TITAN Extreme” surface

If your fittings have the Titan Extreme surface:

- Check the surface for damage that penetrates the paint layer and repair it using the assembly and repair paint (material number ZX SX0130-094010) available from SIEGENIA-AUBI to retain/restore the corrosion protection.
- The places to be painted must be clean, dry, and free of grease and rust.

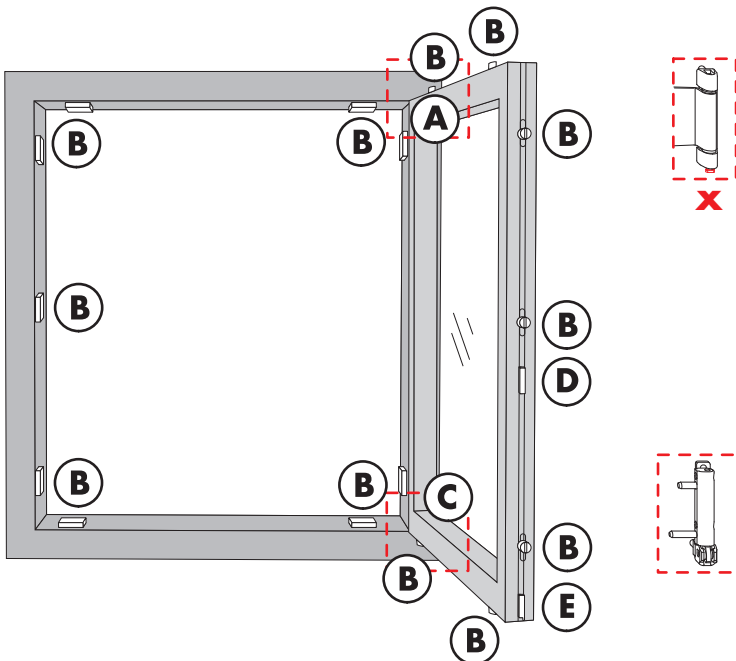
Maintenance - Inspection and Lubrication

Check that all fittings () are secure and check for wear.

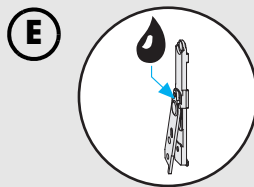
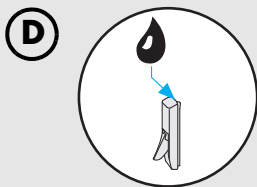
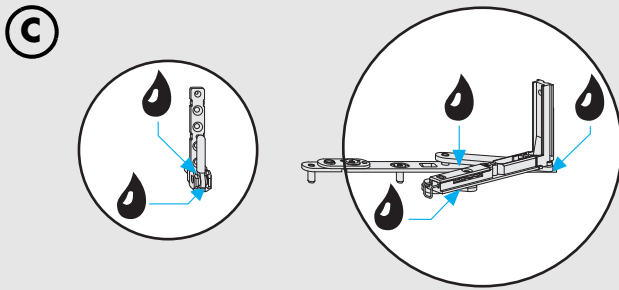
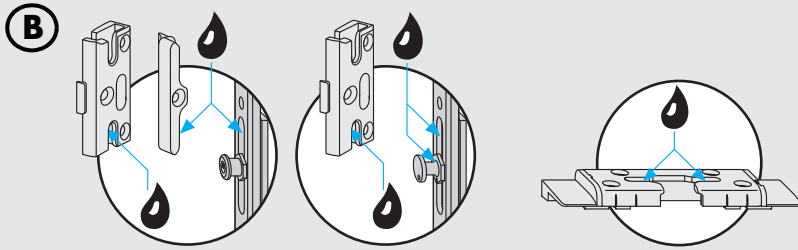
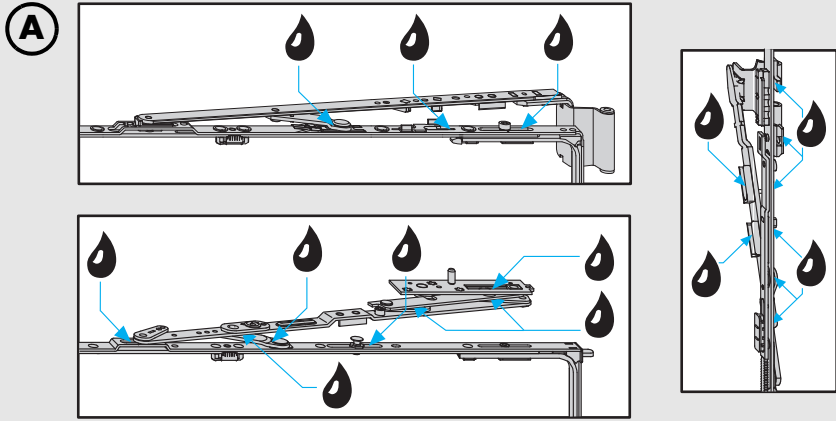
- Check that the top hinge pin (x) is pushed in up to the stop.
If it is not, slide it up to the stop manually.
- Check for loose fixing screws and check that the handle is secure.
Tighten the loose fixing screws using an appropriate tool.
Important: Do not overtighten the screws.
- Have any worn/damaged fittings or overtightened screws replaced by a specialist company.

Grease or oil all movable fittings and all locking points.

- Use only acid-free and resin-free oil or grease.
- Use a grease spray on the movable parts in the window sash and spray into all openings in the fittings. Then move the fittings into position several times until the grease is distributed.
Wipe off any excess oil or grease.
- Grease the striker plates in the window frame using a firmer grease (consistency class 2 in accordance with DIN 51818) in the places where the locking cam engages with the striker plate.
Our maintenance grease is particularly suited for this. You can order it from SIEGENIA-AUBI under material number ZX SX0120-093010.



Maintenance - Lubrication Points





SIEGENIA-AUBI KG
Hardware and ventilation technology
Industriestraße 1-3
D-57234 Wilnsdorf
GERMANY

Telefon: +49 271 3931-0
Telefax: +49 271 3931-333
post@siegenia-aubi.com
www.siegenia-aubi.com



SIEGENIA-AUBI world-wide:

Austria Tel: +43 6225 8301
Benelux Tel: +32 9281 1312
China Tel: +86 10 8739 89-51/-52/-53
France Tel: +33 38961 8131
Germany Tel: +49 271 3931-0
Great Britain Tel: +44 2476 622000
Hungary Tel: +36 76 500810

Italy Tel: +39 02935 3601
Kazakhstan Tel: +7 7272 2914033
Poland Tel: +48 7744 77700
Russia Tel: +7 495 7211762
South Korea Tel: +82 31 7985590
Switzerland Tel: +41 333 4610-10
Turkey Tel: +90 272 2234862
Ukraine Tel: +38 044 4637979

Please contact your approved supplier or recognized distributor: